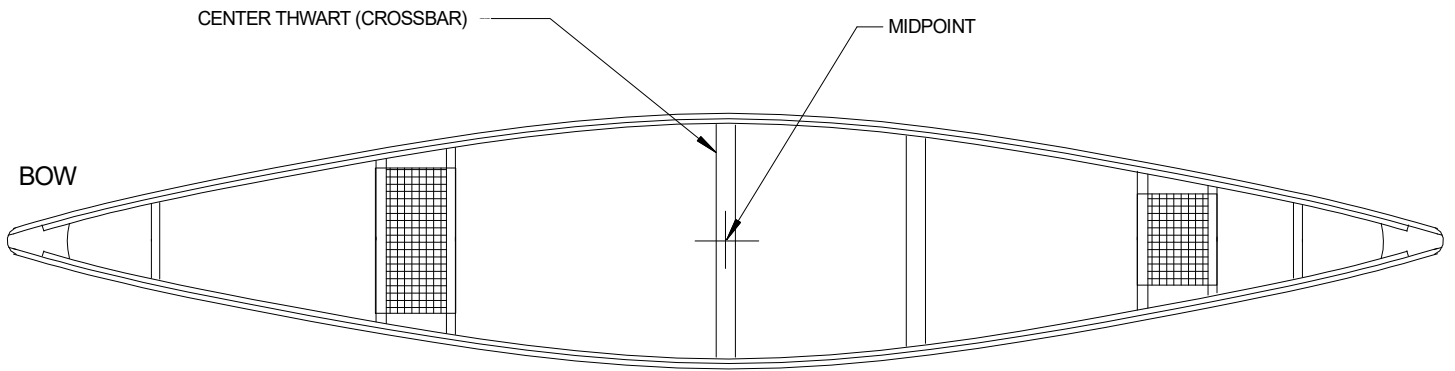
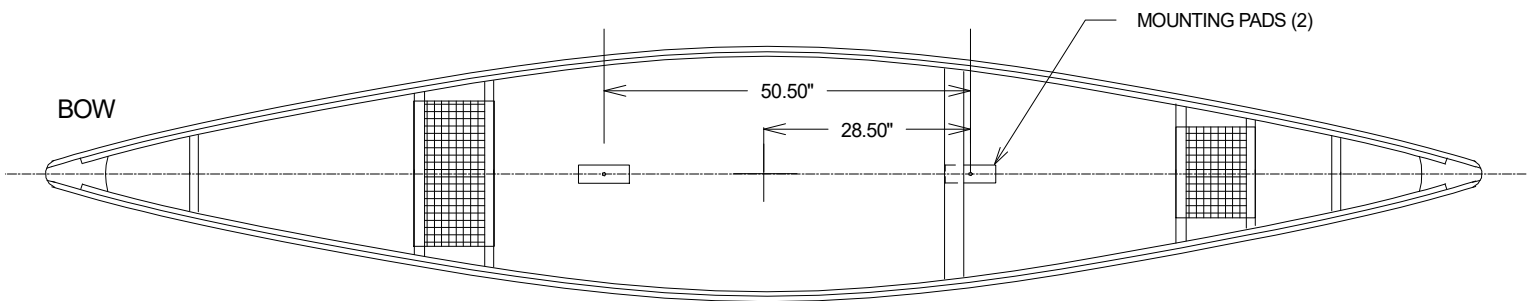


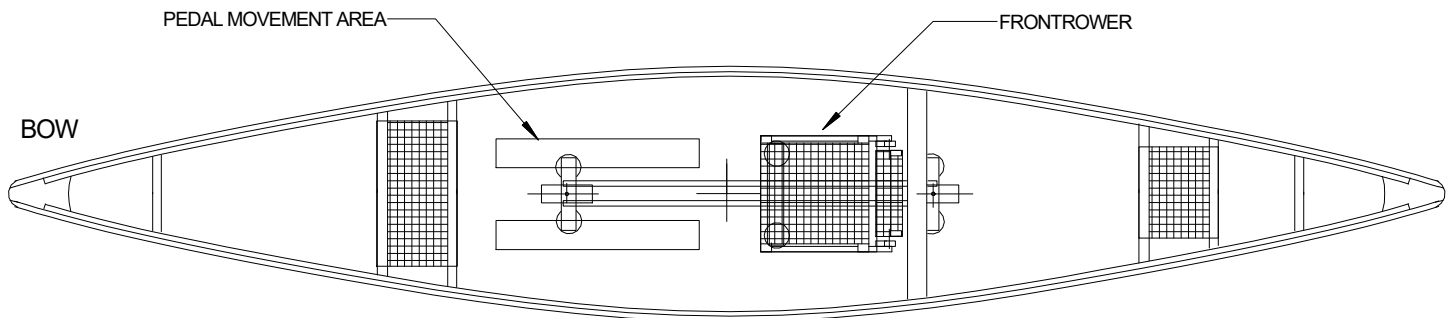
INSTALLATION IN TANDEM CANOE



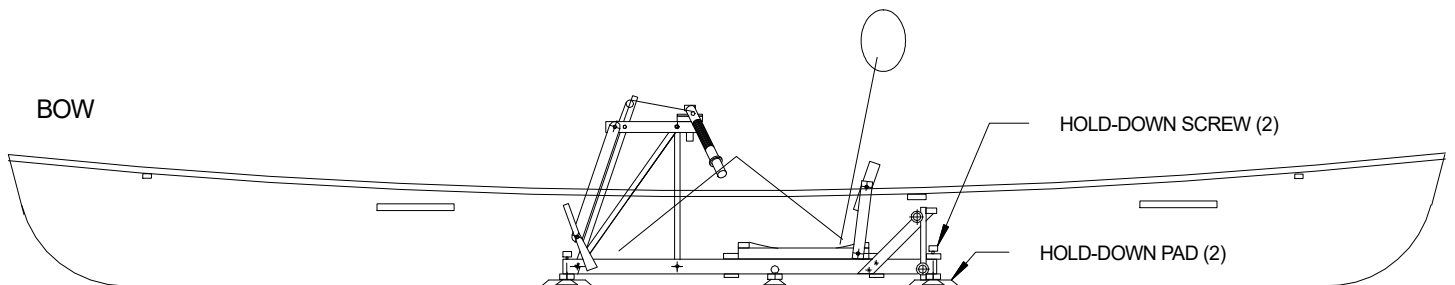
STOCK TANDEM CANOE



WITH CENTER THWART REMOVED AND MOUNTING PADS INSTALLED



WITH FRONTROWER INSTALLED



TO RETROFIT FRONTROWER IN AN EXISTING CANOE, REMOVE THE CENTER CROSSBAR AND GLUE IN MOUNTING PADS IN LOCATION SHOWN. RELOCATE OR ADD CROSSBARS IF NECESSARY.